

REV.	ECN NO OR DESCRIPTION	REVISED	DATE
A	NEW	JASON	11.18.2019

NOTE:

- MATERIAL:  
HOUSING: THERMOPLASTIC, HIGH TEMP, 30% G/F  
UL 94V-0, COLOR: BLACK.  
CONTACT: BRASS.
- FINISH:  
CONTACT: AU PLATING OVER NI(50m" MIN.)
- ELECTRICAL:  
CONTACT RESISTANCE: 20mΩ Max.  
INSULATION RESISTANCE: 1000MΩ Min.  
DIELECTRIC WITHSTANDING VOLTAGE: 500V AC  
CURRENT RATING: 3A
- ENVIRONMENTAL:  
OPERATING TEMPERATURE: -25°C TO +85°C  
COMPLIANCE: RoHS

WBH-8001-2XX-4GXBX-R-XX

202-04PIN  
215-30PIN  
240-80PIN

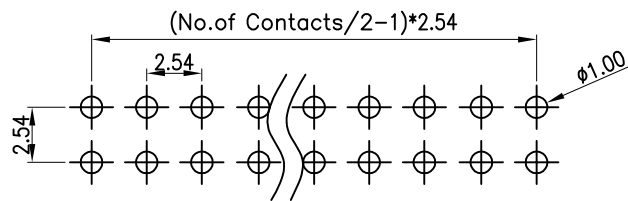
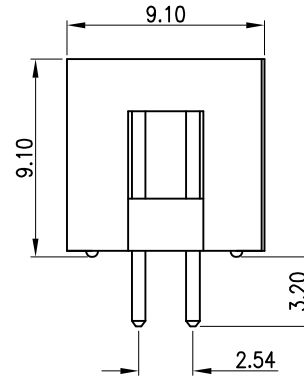
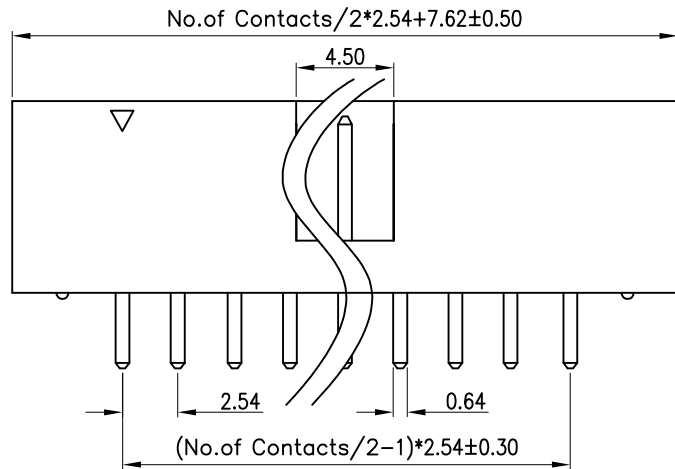
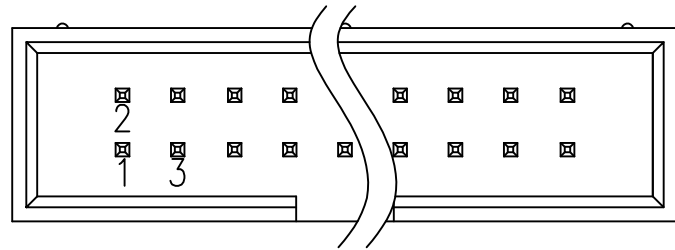
4-STRAIGHT DIP  
G-GOLD FLASH  
3-15u"  
4-30u"  
C-LCP  
P-PBT  
1-NY6T

01-CANCEL 01PIN  
08-CANCEL 08PIN  
16-CANCEL 16PIN

R-RoHS  
H-HF  
G-GP  
B-BAG  
R-TAPE REEL  
1-TUBE  
T-TRAY

B-BLACK  
R-RED  
Y-YELLOW

UNLESS OTHERWISE SPECIFIED TOLERANCES		<b>winconn</b> ® KunShan Winconn Electronic Technology Co., Ltd.	
DECIMALS:	ANGLES:	TITLE Box Header 2.54mm DOUBLE ROW STRAIGHT DIP TYPE	
X : ±0.5	X : ±2°	DWN	PART NO. WBH-8001-2XX-4GXB-XR
X.X : ±0.38	X.X : ±1°	CHKD	SCALE 1:1 UNIT: mm
X.XX : ±0.25		APVD	SIZE: A4 SHEET: 10F1 REV: A
CUSTOMER COPY			



TOLERANCE: ±0.05  
RECOMMENDED PCB LAYOUT